

CRG 100-2

SAMPLE ROASTER - SERIES II



cast iron roasters

With a sample roaster you can grade green coffee qualities, develop recipes and perfect the flavour of a good traditional coffee.

MAIN FEATURES

- ✓ Bean temperature **sensors**
- ✓ Natural or Propane **Gas**
- ✓ **2 Analogue gauges**
- ✓ **2 independent motors**
- ✓ Chaff collecting **cyclone** included(*)



(*) chaff cyclone



80 – 100
g/drum



8–12 min



3
min



Natural or
Propane Gas



110-220 V
50-60 Hz
Single Phase



52 kg

The **CRG 100-2** saves you time and energy, as well as the product itself. Besides, it is ideal for laboratory coffee sampling.

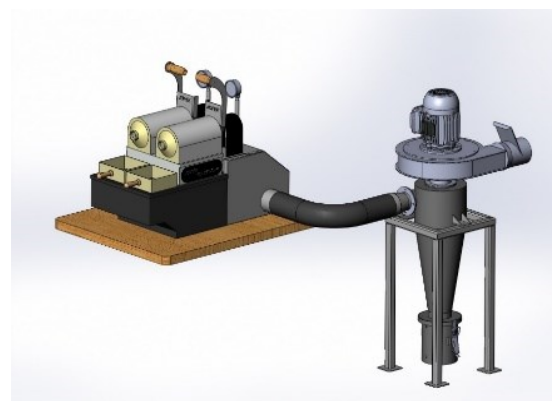
It is essential for the most modern coffee roasting plants.

With the **CRG 100-2** it is possible to test all types of coffee and origins in small quantities before proceeding to large-scale production.



CHARACTERISTICS

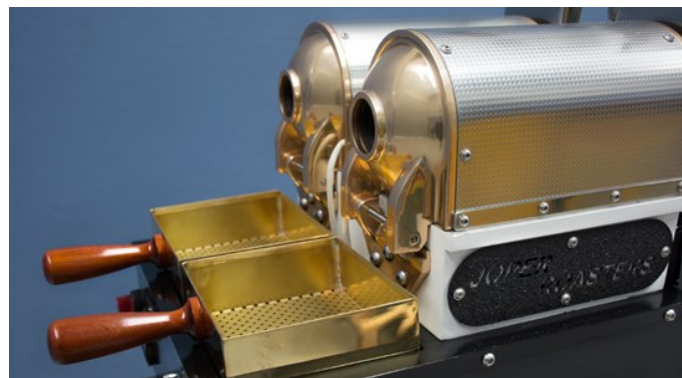
- ▶ Built with lids in metal.
- ▶ Non-drilled roaster cylinder with special blades that ensure optimum coffee movement and excellent roast results.
- ▶ Fuel type: Propane Gas (LPG) or Natural Gas (LNG).
- ▶ Roaster process easily controlled by sample tube and digital temperature.
- ▶ Bean temperature sensors.
- ▶ Thermal isolation of high quality in ceramic nerve to reduce the energy loss.
- ▶ 2 independent motors: (220V 50Hz 1 Phase) (110V 60Hz 1 Phase).
- ▶ Easy operator control.
- ▶ Easy maintenance with included toolkit.
- ▶ Each drum is equipped with gas pressure gauge to control the roasting process with more precision.
- ▶ Chaff collecting cyclone included with 0.37 kW cooling fan.
- ▶ 1 Year warranty.
- ▶ Can be prepared for data loggers cropster or artisan. Has an extra cost.
- ▶ **Optional:** Golden rear shield and drum cover plates. **Standard:** Silver.



TECHNICAL SPECIFICATIONS	Un	CRG 100-2
Control Design	-	Manual
Safety Device	-	Yes
Operation Type Burner	-	Modulation
Burner power	kW	2 x 1.2
Drum Speed	rpm	65
Power Requirements	amp	5
Drum Gearbox	W	25
Ø Exhaust Chimney (Roaster Cyclone)	mm	100
Roaster / Cyclone dimensions (L x W x H)	mm	720 x 435 x 590 / 520 x 355 x 1100
Roaster / Cyclone weight	kg	52 / 31 (total 83)



OPTIONAL: GOLD



JOPER ROASTERS
 João Rodrigues Pereira S.A.
 Rua Juiz Margarido Pacheco, 165
 4410-310 Canelas VN Gaia
 **PORTUGAL**

☎ +351 227 116 410
 ☎ +351 962 340 606
 ☎ +351 912 088 057

🌐 www.joper-roasters.com
 ✉ joper@joper.pt